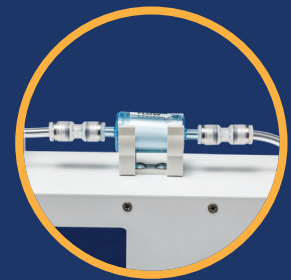


**INNOVATIVE**

# Model 472A

CoreStat® Self-Balanced Gun Ionizer



## FEATURES

- CoreStat® Self-Balanced Technology
- Steady-State DC Ion Emission
- Cleanroom Application
- Low Balance
- Air Pressure Adjustable (Model 472C)
- Single Crystal Silicon Emitter (Optional)

## BENEFITS

- No Calibration Required
- Audio & Visual LED Alarms
- Replaceable HEPA Filter
- Particle Contamination Cleaning
- Air Pressure & Volume Adjustable

## APPLICATIONS

Electrostatic force is a typical source of micro particle contamination in semiconductor, flat panel display, hard disk and other high-tech industry. It is very hard to remove particle once they attracted on the charged surface of materials. Charge neutralization is important for remove particles from the surface.

CoreStat® self-balanced technology, Model 472A gun ionizer is designed for cleanroom applications for semiconductor, flat panel display, hard disk and other high-tech industry. Strong ionized air force is effective for removing particles attracted objects. Model 472A gun ionizer does not required regular based calibration due to intrinsically maintain low offset voltage within a designed specification.

Visual (LED) and audible (buzzer) alarms operates when high voltage power supply fail. Model 472C controller has air pressure adjustable knob and HEPA filter efficiency is 99.99% at 0.1 micrometer.

INNOVATIVE

# Model 472A CoreStat® Self-Balanced Gun Ionizer

## Specifications

Input Voltage	24 VDC, 2 W Max.
Ion Emission	Steady-state DC Technology
Ion Balance	Less than ±15 V average
Discharge Time	Single Crystal Silicon Emitter: Less than 2 sec (0.3 Mpa / 15cm) Tungsten Emitter: Less than 1 sec (0.3 Mpa / 15cm)
Emitter Point	Single Crystal Silicon or Tungsten emitter
Alarm	Visual & Audio alarm operates when ionizer can not maintain power failures.
Air Pressure	0.1 - 0.5 Mpa
Filter Efficiency	99.99% at 0.1 μm
Air Inlet	6mm Inlet
Operating Environment	Temperature: 15 - 35°C Humidity: 35 - 75 % RH
Material	Enclosure: ABS plastic Nozzle: Teflon
Dimensions (mm)	Model 472: 154W x 162H x 3D, 210g
& Weight	Model 472C: 420W x 134H x 80D, 1.5kg
Warranty	1 year limited warranty
Certification	



- Ergonomic Designs
- Air Pressure & Volume Adjustable
- HV Power Failure Alarm
- Easy Access for Manual Cleaning

## Selection

Model 472A	Cleanroom Application Available to Adjust Air Pressure & Volume (Model 472C)
Model 470	Versatile Application

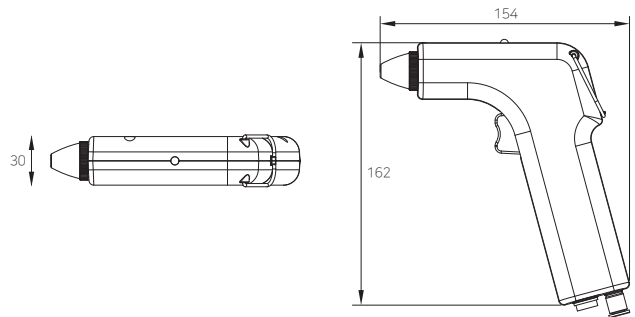


## Related Products

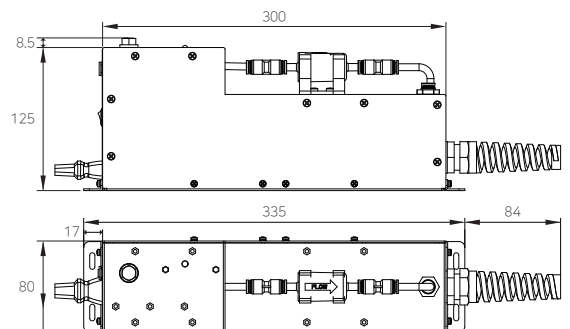
Model 5233ES	Single Crystal Silicon Emitter
Model 5360EP	Tungsten (99.99%) Emitter
Model 472C	Compressed Air Controller Model 472 Cleanroom Compatible Gun Only
Model 5470F	HEPA Filter for Model 472C

## Size & Dimensions (mm)

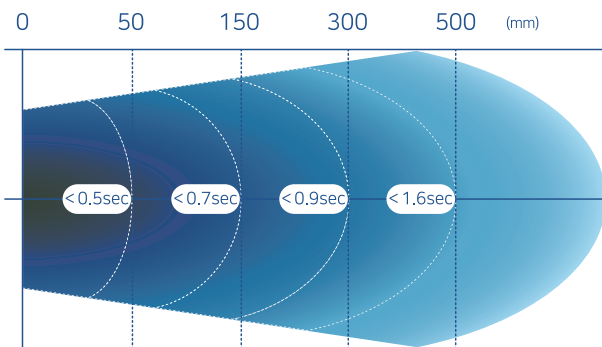
[Model 472]



[Model 472C]



## Discharge Time



Discharge time and balance measured according to ANSI/ESD STM3.1 using a Charge Plate Monitor (CPM)