

Enhanced

Model 310E

CoreStat® Self-Balanced Air Ionizing Blower



FEATURES

- CoreStat® Self-Balanced Technology
- Steady-State DC Ion Emission
- Class 0 & Versatile Application
- Ion Balance Alarm
- Output Monitoring for Balance and Failures
- Auto-Cleaning Brush & Button
- RJ-45 FMS Interface

BENEFITS

- No Calibration Required
- Ionizer Status Monitoring
- No Transient Noise Free
- Audio & Visual Alarms
- Easy Cleaning and Replacement of Emitter Points

APPLICATIONS

Tribocharging is a typical ESD source and induced field from insulators must be controlled in EPA (ESD protected area). Process required insulators are commonly used in many places and should be neutralize by ionization systems.


CoreStat® self-balanced technology, Model 310E is designed as class 0 and versatile applications for semiconductor back-end, printed circuit board assembly and general electronics applications. Model 310E ionizing blower does not required regular based calibration and intrinsically maintains low offset voltage within a spec.

The New RJ-45 Facility Monitoring System (FMS) interface will give real time ionizer status monitoring. Visual (LED) and audible (buzzer) alarms operates when HV power fail and out of balance status. Built-in auto-cleaning brush and button will reduce significant maintenance resources.

Enhanced

Model 310E CoreStat® Self-Balanced Air Ionizing Blower

Specifications

Input Voltage	24 VDC, 6.9W Max
Ion Emission	Steady-state DC Technology
Ion Balance	< ±10 V
Discharge Time	±1000 V to ±100V less than 3 sec (30cm) ±1000 V to ±100V less than 6 sec (60cm)
Air Flow	60 CFM
Alarm	Visual & Audio alarm operates when ionizer can not maintain balance limit and power failures.
Monitoring	RJ-45 terminal Interface
Operating Environment	Temperature: 15 - 35°C Humidity: 35 - 75 % RH
Material	Enclosure & Filter Cover: ABS plastic Bracket: Aluminum
Dimensions (mm)	125W x 135H x 70D (without bracket) 152W x 155H x 170D (with bracket)
Weight	580g (with bracket)
Warranty	2 year limited warranty
Certification	



- Auto-Cleaning Brush & Button
- Ion Balance Alarm
- Easy Access for Manual Cleaning
- New RJ-45 Facility Monitoring System Interface

Selection

Model 310E	One Touch Auto-Cleaning Button Built-in Auto-Cleaning Brush
Model 310B	Without Auto-Cleaning Brush & Button

Related Products

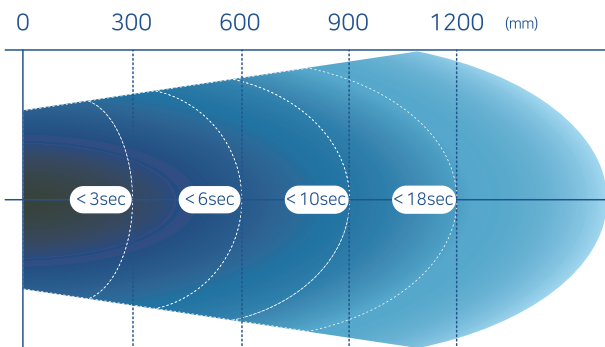
Model 5310EP	Tungsten (99.99%) Emitter
Model 5310GF	Rear Panel Filter Grille
Model 5310AC	Auto-Cleaning Brush
Model 5808	Integrated Monitoring & Controlling System (Up to 8 units)
Model 5820	Integrated Monitoring & Controlling System (Up to 20 units)

Status	Visual	Audio
Normal Operation	GREEN	Inactivate
HV Power Fail	RED	Continuous Sound
Balance Fail	RED	Beeping Sound

Facility Monitoring System Output Signals

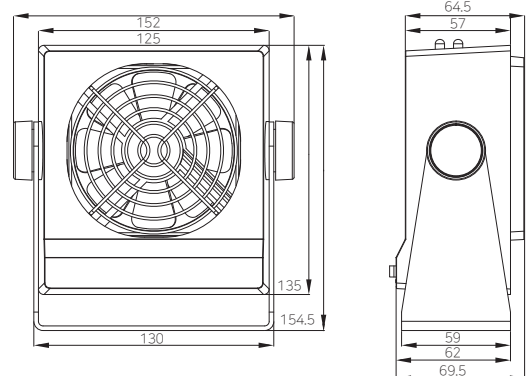
Condition	Pin 2 / 4	Pin 6 / 8	Pin 7
Normal	Open	Open	Low
HV Power alarm	Closed	Closed	High
Balance alarm	Closed	Closed	Low
Port alarm (with Model 5820)	Open	Open	Low

Discharge Time



Discharge time and balance measured according to ANSI/ESD STM3.1 using a Charge Plate Monitor (CPM)

Size & Dimensions (mm)



Model 5808, 5820 Ionizer Monitoring System

- Balance & HV Failure Alarm
- Port Detection
- 24 VDC Distribution Up to 20 units
- All 20 Ionizers Auto-Cleaning at Once