

Auto-Balanced Ionization System

Model 470 Gun Ionizer



Features

- CoreStat Auto-Balanced Technology
- Steady-State DC Ion Emission
- Low Balance
- Alarm for HV Power Fail

Benefits

- No Calibration Required
- Visual LED Alarm
- Audio Alarm
- Emitter Point Easy Clean and Replacement
- Versatile Applications

Applications

Tribocharging is a typical ESD source and induced field from insulators must be controlled in EPA (ESD Protected Area). Process required insulators are commonly used in many places and should be neutralize by ionization systems.

CoreStat auto-balanced technology, Model 470 Gun Ionizer has designed versatile applications for semiconductor back-end, printed circuit board assembly and general electronics. Model 470 Gun Ionizer doesn't required regular based calibration and intrinsically maintain low offset voltage within a spec. Visual LED and audio alarms indicate when HV power failures.

Model 470 Gun Ionizer

Specifications

Input Voltage	24V DC, 2Watt Max
Ion Emission	Steady-State DC Technology
Ion Balance	Less than $\pm 15V$ average, Less than 20V peak.
Discharge Time	Less than 1 sec at 15cm $\pm 1000V$ to $\pm 100V$
Emitter Point	Tungsten 99.99%
Alarm Function	Visual LED, Audio Buzzer when HV Failure
Air Pressure	0.1 ~ 0.5Mpa
Air Inlet	6mm diameter
Material	Ionizer Body: ABS, Nozzle: Teflon
Operating Environment	Temperature: 15 ~ 35°C, Relative Humidity: 35 ~ 75% RH
Dimensions(WxHxD)	154H x 162W x 30D mm
Weight	215g
Warranty	1 Year Limited

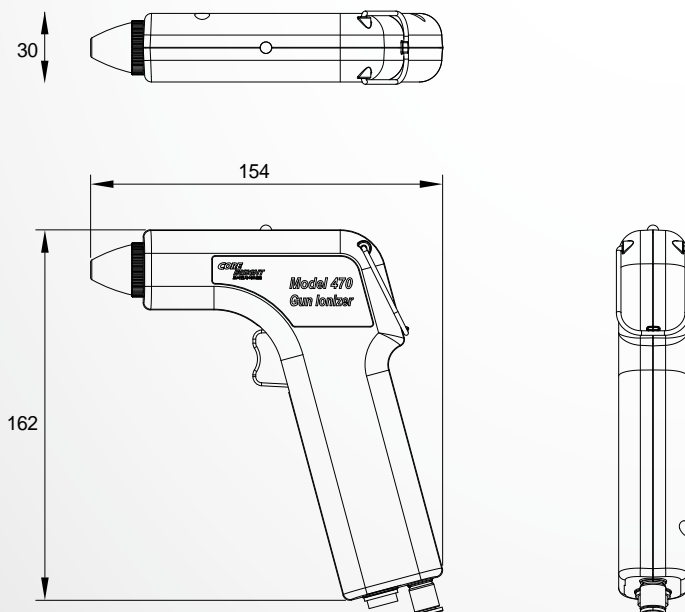
Model 470 detail



CONNECTOR



Sizes & Dimensions(mm)



Model 470 Discharge Time

Air Pressure 3bar

+Decay time(sec)

-Decay time(sec)

