

Autoclaves AHS-50-B / AHS-75-B



Optional PT-2 probe



Software



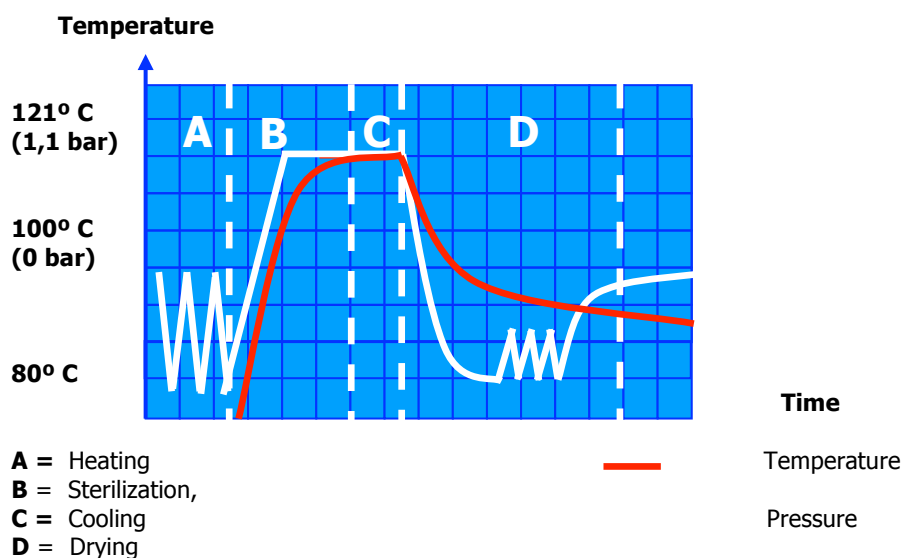
(Optional)

Optional Printer
Ref. IT

Advantages:

- Fractionated vacuum
- Heart probe (optional)
- Connection to PC (USB)
- Steam generator
- Control software (optional)
- Programs for liquids

Sterilization cycle graph



Autoclave AHS-50-B / AHS-75-B

Intended use:

Suitable to sterilize: unwrapped and wrapped solids, porous objects and hollow ware, and liquids.

Features:

Total control by microprocessor:
Test Cycles: Vacuum Test, *Bowie & Dick Test*.
7 Litres feeding water reservoir.
Ten predefined programs and four user free.
Programs for liquids.
Includes RS-232 port to connect to a printer/PC.

Safety:

Safety valve, thermostat and safety pressure switch,
Hydraulic door blocking system.
Open door micro-switch avoids execution of any program

Supplied with the following

Accessories:

Support for five trays
Two perforated trays made of stainless steel
Ref. BAH-50-B (AHS-50), Ref. BAH-75-B (AHS-75)
Auxiliary tray

Reference	Capacity	Ø x H.	H x A x F in cm	Temp. °C	Max. bar	Power W	Kg.	Time range
AHS-50-B	55 L	40 x 40 cm	63 x 76 x 78	121/134	2,1	3.600	135	0 a 40 min.
AHS-75-B	75 L	40 x 60 cm	63 x 76 x 98	121/134	2,1	3.600	150	0 a 40 min.

Accessories

Bowie & Dick test

Check the absence of residual air.
Box of 30 tests.

Reference: TEST-BD



Sterilisation control tape

Sterilisation indicator tape.

Reference: TEST-CT



Thermal Printer

It prints number of program, number of cycle, temperature, date and hour of the run.
Error messages are also printed.
To be installed in our facilities.

Reference: IT



Table top printer

It prints number of program, number of cycle, temperature, date and hour of the run. Error messages are also printed.

Reference: ITS



Accessories

Flexible "Heart" probe PT-100

Recommended for sterilizing liquids in flasks of 1 L or bigger. The control is done from the microprocessor. This accessory should be installed in factory.

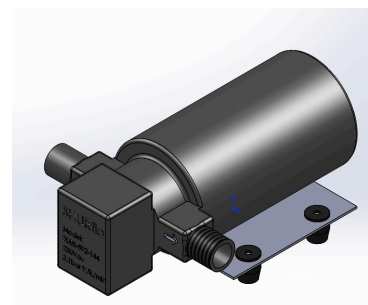
Reference: PT-2



Automatic filling pump

To feed the autoclave from an external container or directly from a water source distilled. This accessory must be installed at our facilities.

Reference: KLL



PC connection kit for RS232

Kit for the connection and use of the communication software between the equipment and the PC, through the RS232 interface.

It includes: Female USB-RS232 Converter. CD with corresponding drivers included

Male-male DB-9 cable to connect converter with the equipment



Reference: SOFT-RS232

