

# CleanSweep®

## 3A AC Power Line EMI Filters

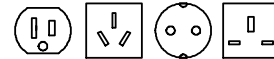
### Clean Power Free of High-Frequency Noise

OnFILTER CleanSweep® EMI filters provide noise-free AC power for your sensitive equipment in end-user installations. Innovative design accomplishes maximum noise suppression of signals polluting your power lines and ground, freeing your equipment from harmful interference.

Clean power is essential for uninterrupted and problem-free operation of electrical and electronic equipment. As electromagnetic interference (EMI) spreads through power lines and ground, it causes downtime and errors in today's equipment and may inflict component damage.

Unique design of OnFILTER CleanSweep® series focuses on the properties of real-life signals on power lines and ground and produces maximum attenuation of the "worst offenders" on power lines.

Filters are very easy to install - just plug it into the wall outlet and plug your equipment into the outlet on the filter.



Various configurations available

### Applications

- Electronic manufacturing
- Semiconductor fabrication
- Test and measurements
- Data centers
- Industrial robotics
- Medical
- Military and aerospace
- Wherever EMI is an issue

### Features

- Easy plug-in installation
- Optimized for power lines
- Effective noise suppression for all types of noise
- Models for up to 250V AC 30A

### Increased Up-Time

OnFILTER CleanSweep® filters reduce equipment downtime caused by EMI and increase its performance and productivity by providing clean power to your sensitive tools.

### Real-Life Applications

Unlike typical filters designed for compliance measurements in a laboratory environment, CleanSweep® filters are optimized for effective suppression of noise in actual applications providing superb attenuation at lower frequencies where regular filters fail

### Suppression of Noise on Power Lines and Ground

OnFILTER CleanSweep® filters provide suppression for differential (between live and neutral), common-mode (between live/neutral line and ground) and, uniquely, for ground itself

### Advanced Surge Protection

OnFILTER CleanSweep® series filters add substantial performance improvements to conventional surge protection by reducing residual high-voltage "spikes" down to a negligible level

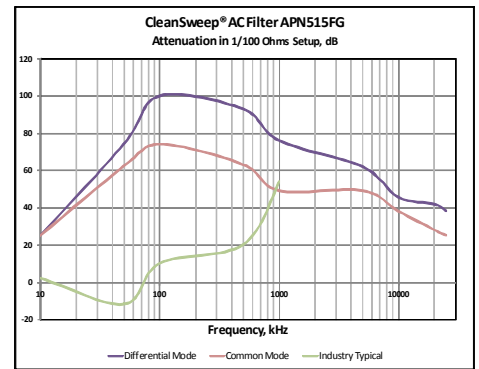
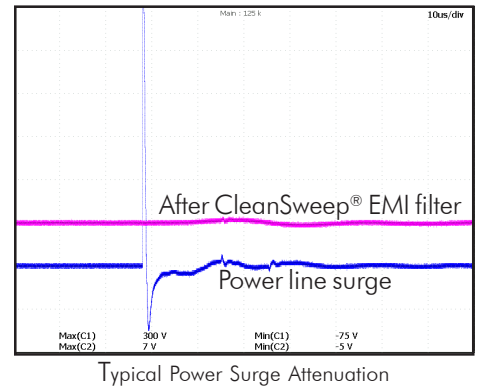
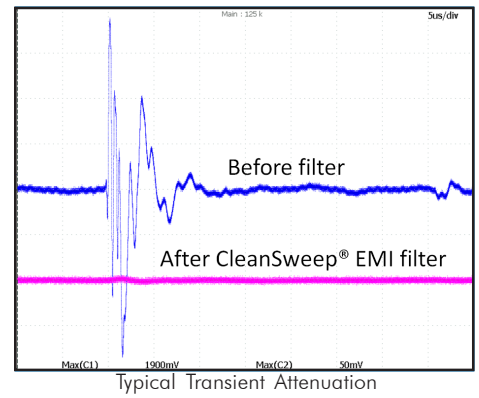
CleanSweep®  
Power Line AC Filters  
AP Series



# Specification

OnFILTER CleanSweep® filters utilize proprietary technology to provide maximum noise suppression in actual installations, not just in the controlled laboratory environment.

Parameter	Value
Rated Voltage, RMS	110...250V
Rated Current, RMS	3A
Transient Signal Attenuation (Typical)	
Differential Mode	24dB
Common Mode	20dB
Leakage Current	
Standard models	<3.5mA
Medical version	<0.5mA
Power Indication	LED
Dimensions (WxDxH)	3.12"x1.85"x5.0" 80mmx47mmx127mm

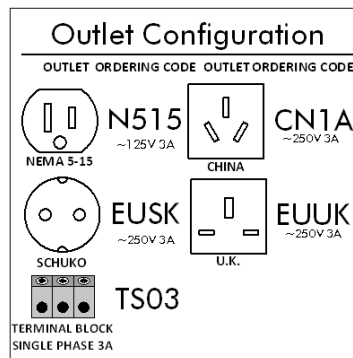
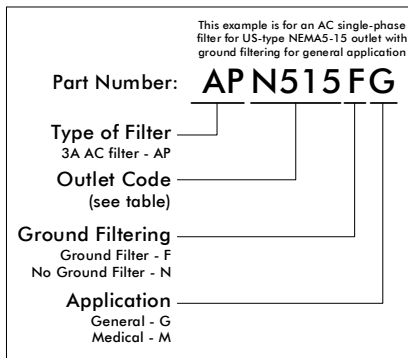


Other CleanSweep® models include filters for up to 30A RMS and 250V AC with a variety of U.S. and international plug and outlet configurations - please contact us for your specific requirements.

See separate datasheet for AP series filter for soldering applications at [www.onfilter.com](http://www.onfilter.com)

# Ordering Information

Please select the type of filter most suitable for your application. Although there are many selection criteria, choosing the right filter is fairly simple. Most important parameter you need to select is the type of an outlet which will define voltage and current rating.



Contact us for other configurations



**OnFILTER, Inc.**  
 730 Mission St., Ste. 102  
 Santa Cruz, CA 95060 U.S.A.  
 Tel. +1.831.824.4052  
 FAX +1.206.350.7458  
[www.onfilter.com](http://www.onfilter.com)  
[info@onfilter.com](mailto:info@onfilter.com)

