

Model 7110 Series Bar Ionizer

Air Assist Bar Ionization Systems



➤ FEATURES

- Pulsed AC Ion Emission
- 3 Digit FND Display
- LED Alarm
- HV Power Alarm
- Cleaning Alarm
- IR Remote control

➤ BENEFITS

- User Adjustable Output Parameters
- Emitter Point Easy Clean and Replace
- High Flash LED Alarm, Audible Alarm
- Alarm Output Connect to Process Equipment
- Versatile Application

➤ APPLICATIONS

Tribocharging is a typical particle contamination and ESD source to ESD sensitive device in EPA(ESD Protected area). Process required insulators are commonly used in many processes and this should be neutralize by ionization systems.

Model 7110 series has designed versatile applications for semiconductor, LCD, FPD, general electronics applications. Output alarm monitoring interface will allow real time ionizer status monitoring when HV power malfunction and maintenance.

Model 7110 Series Bar Ionizer



Normal



Cleaning Alarm



HV Power Fail

Specification

Input Voltage	24V DC, 7.2W (Maximum) MAX ±7KV
Ion Emission	Pulsed AC Technology
Current Consumption	300mA (1000mm Standard -DC 24V)
Balance	< ±30V User/Application Define Balance Adjust
Function Adjust	User/Application Define Function Adjust
Alarm Function	Visual(LED) -HV Power Fail -Emitter Point Cleaning Signal -Relay Normal Open type
Indicator	Normal : Green Cleaning Alarm : Yellow HV Power Fail : Red
Air Pressure	0.1 ~ 0.5MPa
Air Inlet	8Ø Inlet
Emitter Point	Tungsten 99.99%
Material	Ionizer body : ABS Nozzle : PC Bracket : ABS
Operating Environment	Temperature: 15~35°C, Humidity : 35~85% RH
Dimensions (W×H×D) Weight	Model 7100~1000 1000×124.3×50mm 1.2kg
Option	IR Remote control
Warranty	1 year

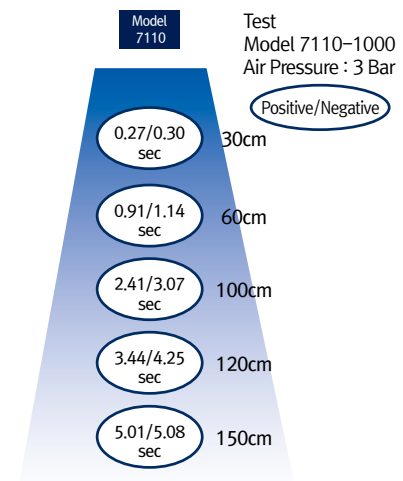
Option



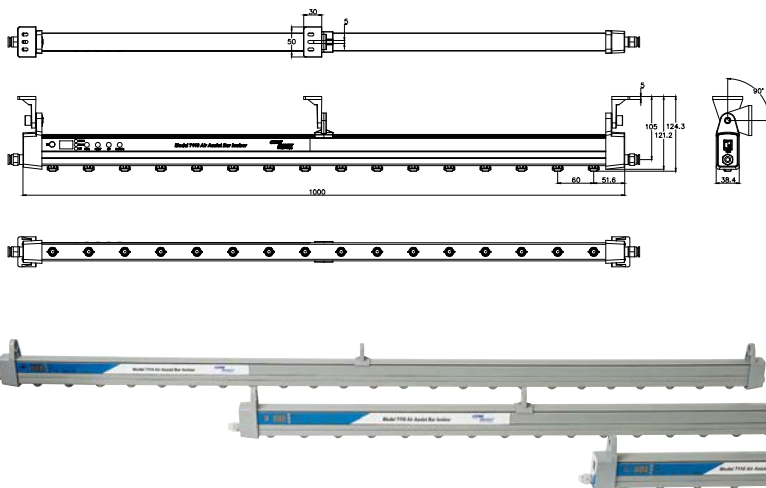
Emitter Point Replace



Model 7110 Discharge Time



Product Length and Detail Size(mm)



Part Numbers

Size(mm)	Part Number
800	Model 7110-800
1000	Model 7110-1000
1600	Model 7110-1600
2000	Model 7110-2000
2400	Model 7110-2400
3000	Model 7110-3000